

4D SOLID-STATE LIDAR

EPIC Online Technology Meeting on LiDAR Technology and Applications
14th of April
Ünsal Kabuk

Document class: Public

“If you only read the books that everyone else is reading, you can only think what everyone else is thinking....”

Haruki Murakami

AGENDA



- **About Ibeo**
- **solid state LiDAR**
- **What we offer**



Worldwide technology leader in the field of LiDAR sensors, associated products, and software tools.



- **Hamburg, Germany**
- **Eindhoven, Netherlands**
- **Detroit, USA**
- **Coming soon: China**



**Sales increase:
342% from 2014 to 2018**



400+ employees

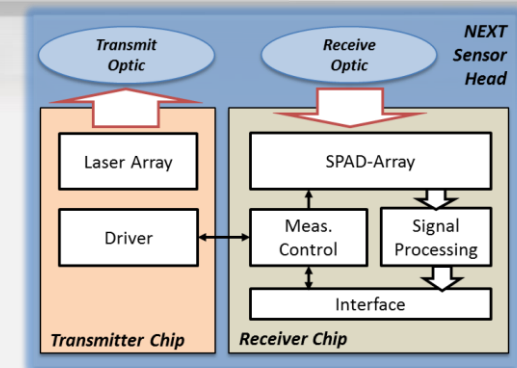


ibeoNEXT



ibeoNEXT: 4D Solid State LiDAR

- Very high resolution (e.g. 0.04 deg)
- Long range (e.g. 300 m)
- Large FOV (e.g. 120x60 deg)
- Eye-safe Laserclass 1
- Low energy consumption
- ADAS and AD (from L2+ to L5)
- Frame rate 25 Hz
- Modular concept
- Absolutely no moving parts
- Small size and small weight
- Output: 3D point cloud & intensity image

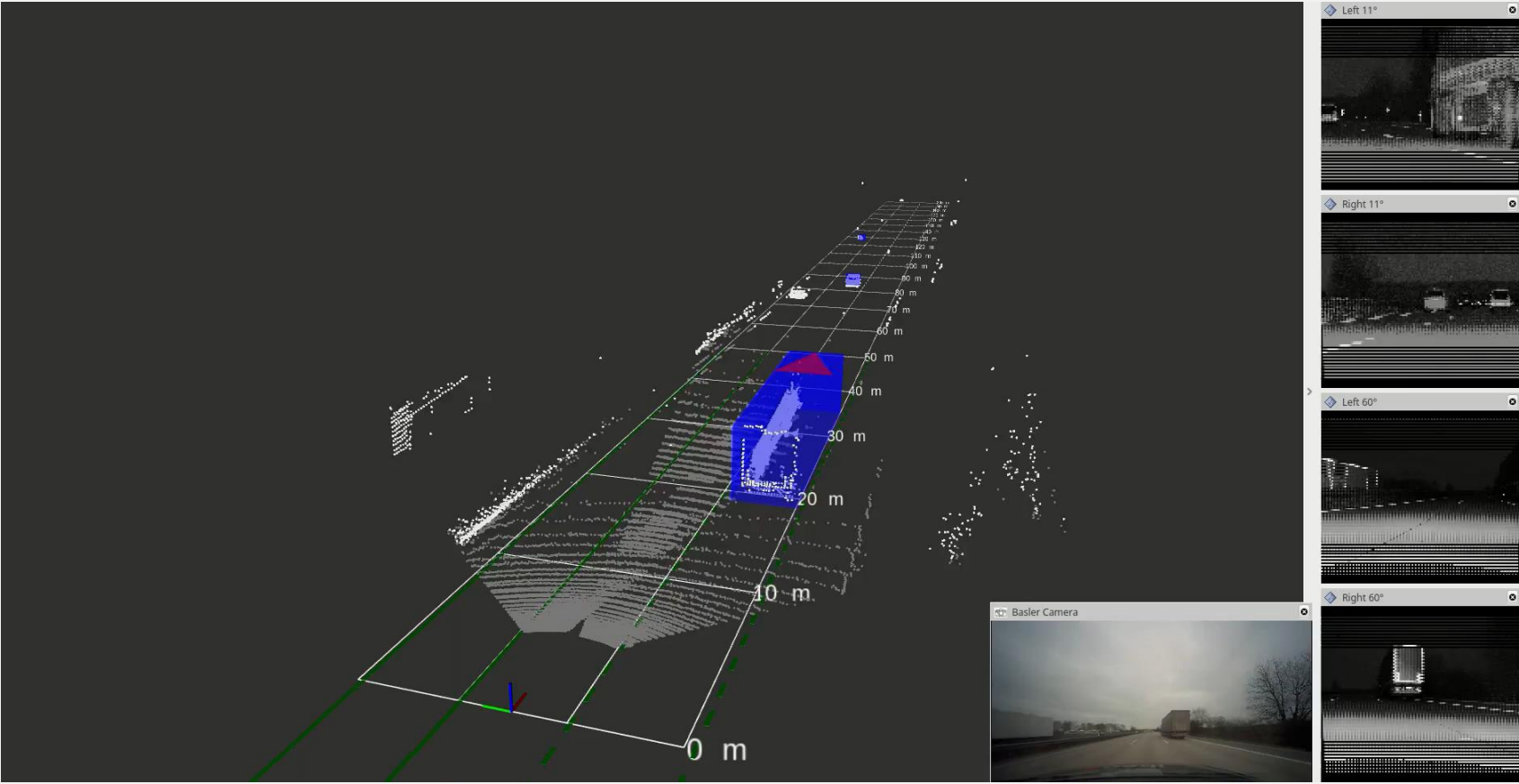


The future in sensing for autonomous driving!

IBEONEXT 4D SOLID STATE LIDAR



ibeoNEXT

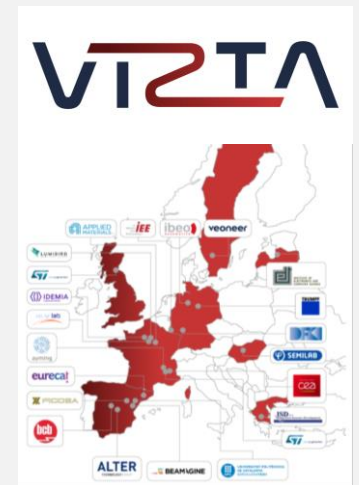


WHAT WE OFFER?



FIRST IN MARKET WITH SOLID STATE LIDAR

- Small series: 2020
- Serial production: 2022



<https://www.vizta-ecsel.eu/>

THANK YOU FOR YOUR ATTENTION

Ünsal Kabuk / Head of Research and Development
+49 298676-703 / uensal.kabuk@ibeo-as.com

www.ibeo-as.com Ibeo Automotive Systems GmbH | Merkkuring 60-62 | 22143 Hamburg, Germany

phone: +49 - 40 298 676 - 0 | fax: +49 - 40 298 676 - 10 | E-Mail: info@ibeo-as.com